



# ***DECOCO***

---

Precision Engineered Zinc Die Casting

**WINDOW AND DOOR HARDWARE CATALOG**

# **DECO DOOR HARDWARE**

**T-HANDLES | PATIO PULLS | L-HANDLES | ADDITIONAL LOCKS**



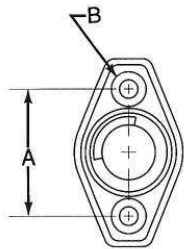
# LOCKING L-HANDLE

## 909 SERIES



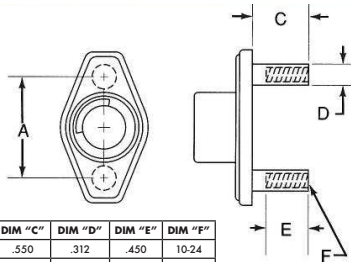
rotations include 90° CW, 90° CCW, 180° & 360°  
non-locking also available

### 909 SERIES - face mounted escutcheon



DIM "A"	DIM "B"
1.812	.260 SQ. .406 DIE. CS
1.500	.218 SQ. .406 DIE. CS
1.750	.250 SQ. .375 DIE. CS
1.812	.200 SQ. .406 DIE. CS

### 909 SERIES - rear mounted escutcheon



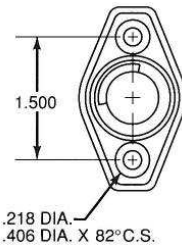
DIM "A"	DIM "C"	DIM "D"	DIM "E"	DIM "F"
1.500	.550	.312	.450	10-24
1.500	*	*	.187	10-24
1.812	*	*	.187	10-24
1.500	*	*	.187	8-32
1.812	*	*	.187	8-32

## 809 SERIES

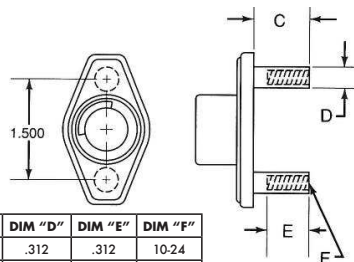


rotations include 90° CW, 90° CCW, 180° & 360°  
non-locking also available

### 809 SERIES - face mounted escutcheon



### 809 SERIES - rear mounted escutcheon



DIM "C"	DIM "D"	DIM "E"	DIM "F"
.312	.312	.312	10-24
.687	.312	.687	10-24
*	*	.187	8-32
*	*	.187	10-32

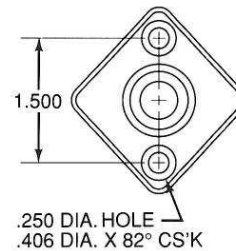
# NON-LOCKING L-HANDLE

## 863 SERIES

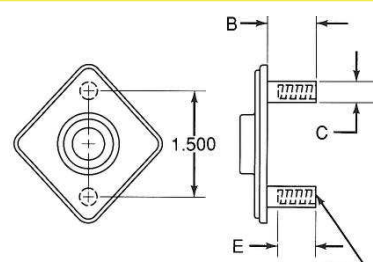


Available with set screw installed,  
various shank lengths with 3/16"  
square hole cored in end.

### 863 SERIES - face mounted escutcheon



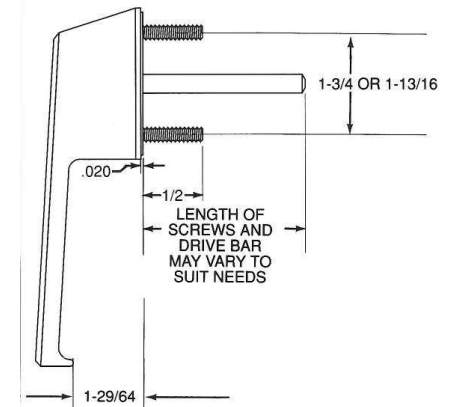
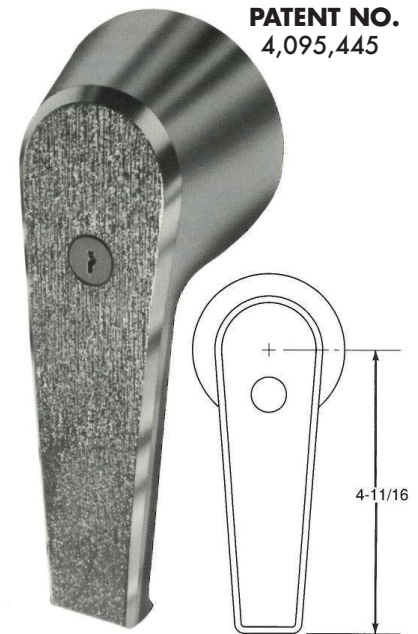
### 863 SERIES - rear mounted escutcheon



DIM "B"	DIM "C"	DIM "D"	DIM "E"
.688	.312	10-24	.600
.188	.250	—	—

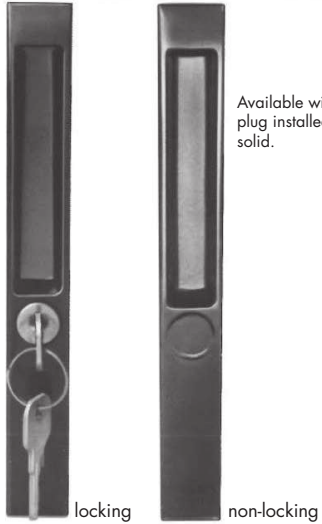
## 919 SERIES

**PATENT NO.**  
4,095,445

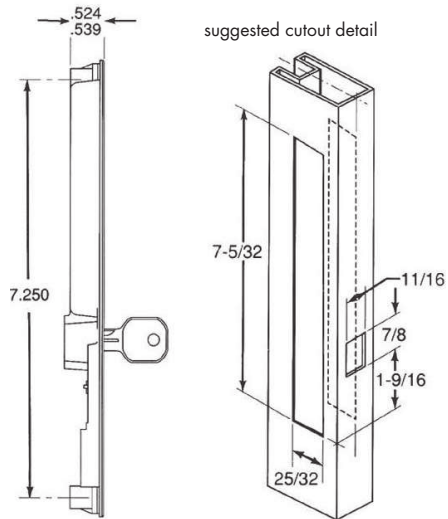


# PATIO DOOR HARDWARE

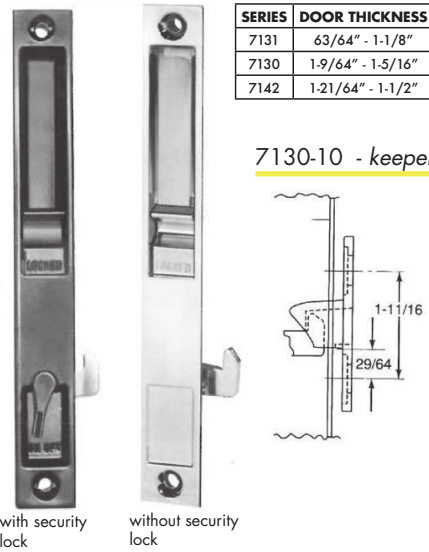
## 7129 SERIES - exterior pull



Available with knockout plug installed or hole cast solid.

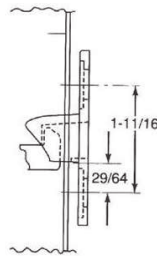


## 7130 SERIES - interior pull

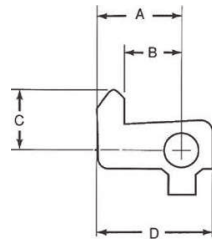


SERIES	DOOR THICKNESS
7131	63/64" - 1-1/8"
7130	1-9/64" - 1-5/16"
7142	1-21/64" - 1-1/2"

### 7130-10 - keeper



## 7130 SERIES - bolts (see chart below)



DIM "A"	DIM "B"	DIM "C"	DIM "D"	PART NO.
1.150-1.120	57/64	35/64	1-25/64	7130B-4
.620-.625	25/64	35/64	29/32	7130C-4
.682-.687	29/64	35/64	31/32	7130E-4
.745-.750	33/64	35/64	1-1/32	7130G-4
.870-.875	41/64	35/64	1-5/32	7130K-4
.995-1.000	49/64	35/64	1-9/32	7130P-4
.495-.500	17/64	35/64	25/32	7130X-4

# PATIO DOOR PULLS

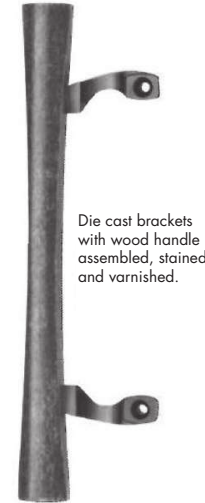
## 7128 SERIES\*



## 7139 SERIES\*



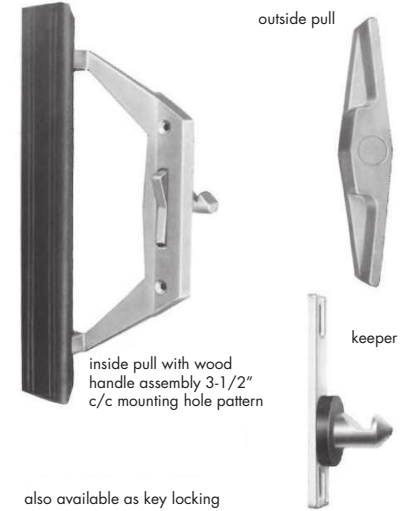
## 7136 SERIES\*



## 7140 SERIES\*



## 716 SERIES



## 702 SERIES



\* use any of these interior pulls with the 7130 series

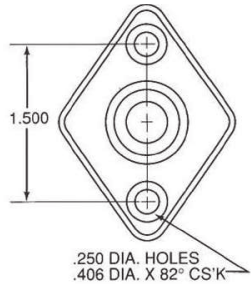
# NON-LOCKING T-HANDLES

## 866 SERIES

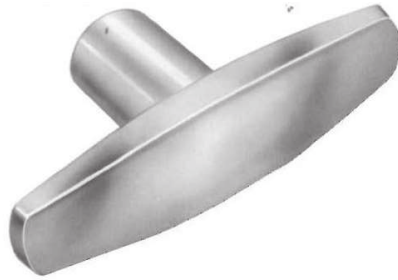


Available with a set screw and 5/16" square hole

## 866104 - escutcheon



## 899 SERIES - heavy duty version



## 899 - light duty version



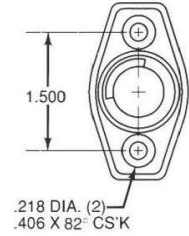
# LOCKING T-HANDLES

## 817 SERIES

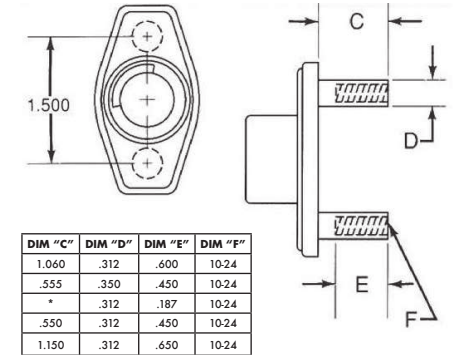


rotations include 90° CW, 90° CCW, 180° & 360°

## 817 SERIES - face mounted escutcheon

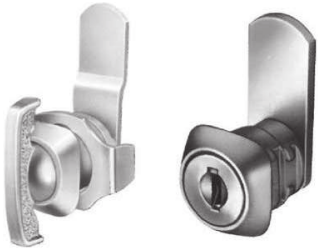


## 817 SERIES - rear mounted escutcheon



# ADDITIONAL LOCKS

## 921 SERIES - lock assemblies



## 727 SERIES - twist lock



52

## 818 SERIES - handle



includes set screw installed

53

## 818 SERIES - cam



available in 2" and 2-3/4"

## 862 SERIES - locking t-handle

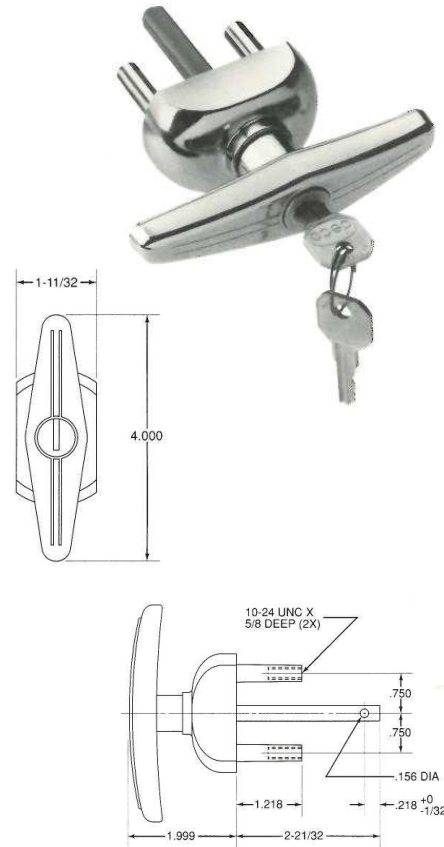
### 862 SERIES - low-profile, face mounted



rotation: available in 90° CW or CCW; 180° or 360°

- Your choice of escutcheons: low-profile, high-profile, and low-profile (on request)
- Steel shaft: 5/16" square or rounded corners in 1/4" increments (measured from base to shaft end)
- Keying: keyed alike; keyed differently; keyed differently master keyed
- Finish: durable baked-on power coatings in various color or plated finishes

### 862 SERIES - high profile, rear mounted

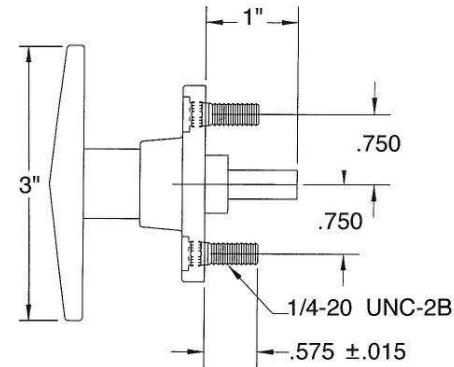


rotation: available 360° only  
non-locking versions available upon request

## 917 SERIES - hurricane shutter and security hardware

This is today's answer to your hurricane shutter needs. Hardware components shown on this page are available as a poly-bagged kit or in bulk. To order the kit with the handle powder coated, specify part no. 917410 and add the powder color finish code as listed in the front of this catalog. To order the kit with a chrome plated handle, specify part no. 917410E5. Or order individual components, bulk packed, by the individual part numbers shown on this page. (Finish code suffix designation will be the same as above).

### 917244 - hurricane shutter handle



### 5224102M6 - latch



### 5224103P1 - nylon bushing



### 5224101M6 - keeper





**DECO**

[sales@decoprod.com](mailto:sales@decoprod.com) | (563) 382-4264 | [www.decoprod.com](http://www.decoprod.com)