

DECOCO

Precision Engineered Zinc Die Casting

WINDOW AND DOOR HARDWARE CATALOG

DECO WINDOW HARDWARE

SASH LOCKS | KEEPERS | TILT LATCHES | OPERATORS

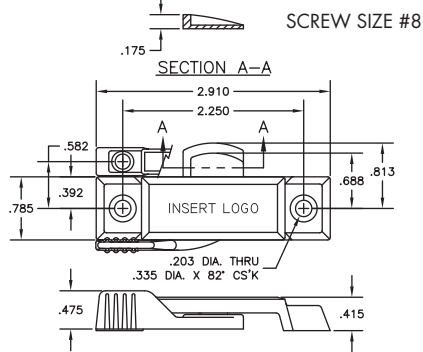


672 SERIES - pull-in sweep



672210 - sash lock

USE WITH KEEPERS ON THIS PAGE
right hand shown, left hand (672254) opposite



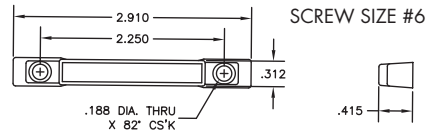
672506 - sash lock

KEEPER REQUIRED

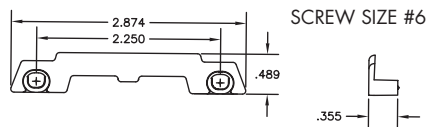


right hand shown, left hand (672507) opposite

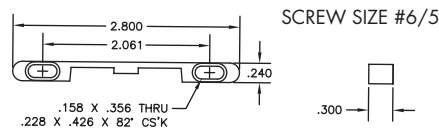
672116 - horizontal keeper



672161 - vertical mount keeper



672173 - flush mount keeper

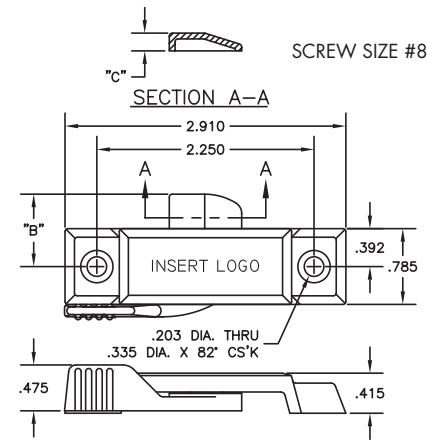


672 SERIES - wedge sweep



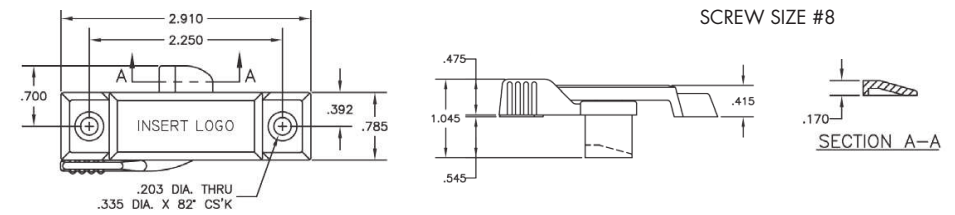
672200 - sash lock

NO KEEPER REQUIRED



672 SERIES - step sash locks

672207 - sash lock



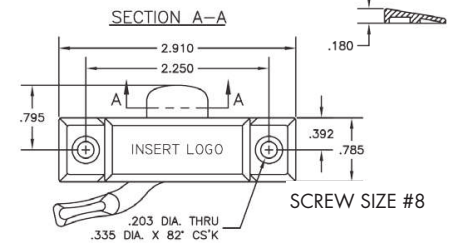
OTHER WEDGE SWEEP LOCKS

CAST DIMENSIONS

DIM. "B"	DIM. "C"	PART NO.	REMARKS
.650	.160	672238	Right Hand/No Finger Grips
.650	.160	672217	Right Hand
.750	.108	672276	Right Hand/Continuous Wedge
.750	.130	672250	Left Hand
.750	.130	672205	Right Hand
.750	.130	672265	Right Hand/Beveled Tongue
.750	.164	672260	Right Hand
.750	.184	672206	Left Hand
.750	.184	672200	Right Hand
.750	.164	672249	Left Hand
.760	.174/.175	672277	Right Hand/Continuous Wedge
.875	.130	672232	Right Hand
.875	.093	672214	Left Hand
.875	.093	672213	Right Hand
.912	.156	672245	Right Hand/Continuous Wedge

672502 - sash lock

NO KEEPER REQUIRED

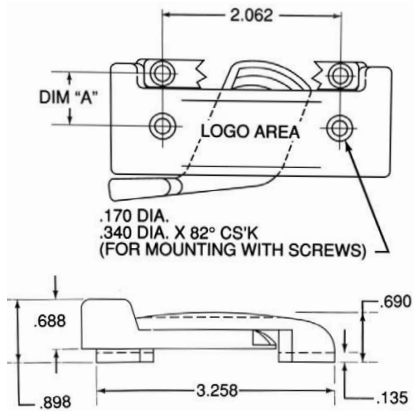


right hand shown, left hand (672503) opposite

667 SERIES - with horizontal and vertical keepers

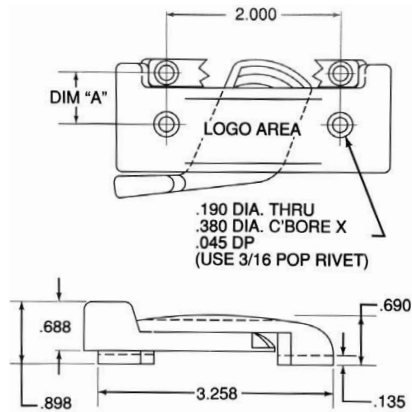
667202 - sash lock

USE WITH ANY KEEPER BELOW

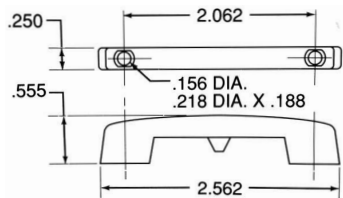


667209 - sash lock

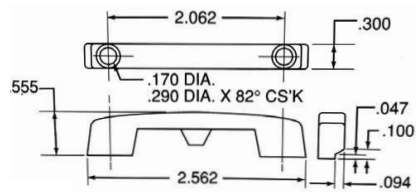
USE WITH ANY KEEPER BELOW



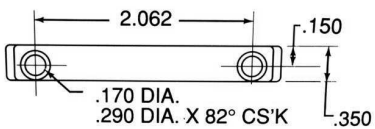
667107 - keeper



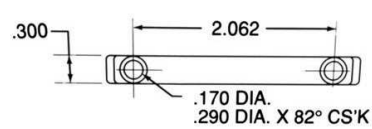
667105 - with glazing bead notch



667112 - keeper



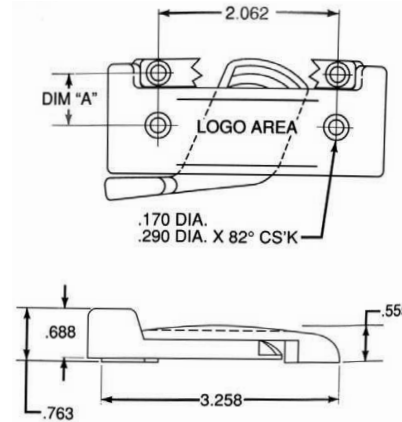
667104 - keeper



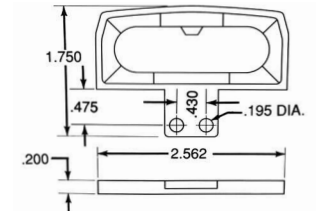
667 SERIES - pull-in sweep

667201 - sash lock

USE WITH KEEPER 667108



667108 - vertical keeper

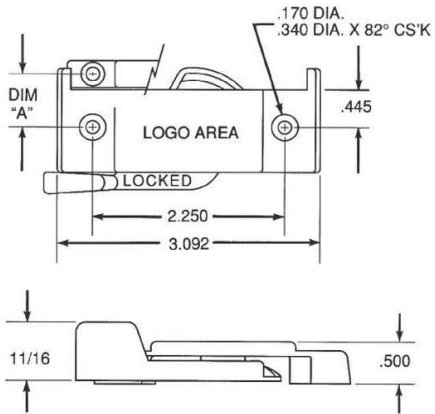


671 SERIES - with horizontal keeper



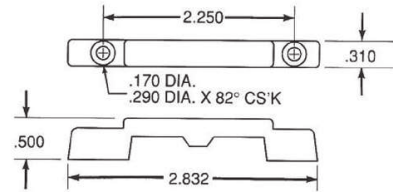
671201 - sash lock

USE WITH ANY KEEPER ON THIS PAGE

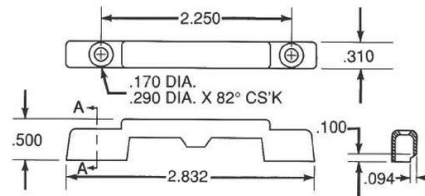


KEEPER PART NO.	DIM "A"
671104	.634
671107	.634
671108	.604

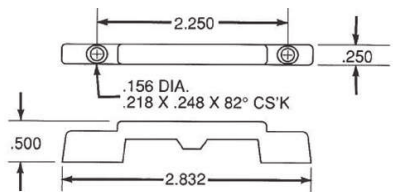
671104 - keeper



671107 - with glazing bead notch



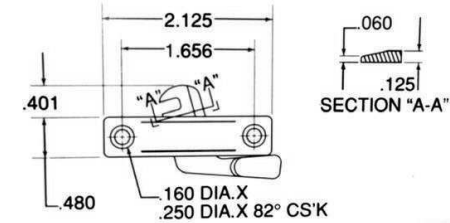
671108 - keeper



631 SERIES - wedge sweep

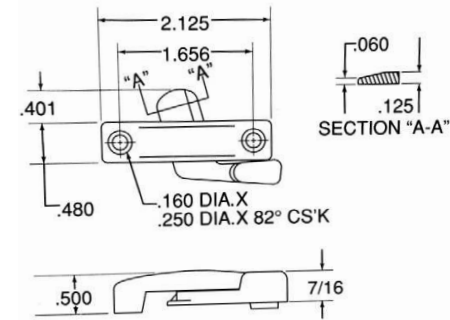
631202 - sash lock

NO KEEPER REQUIRED



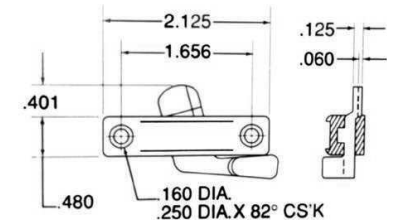
631201 - sash lock

NO KEEPER REQUIRED
RIGHT HAND SHOWN



631204 - sash lock

NO KEEPER REQUIRED

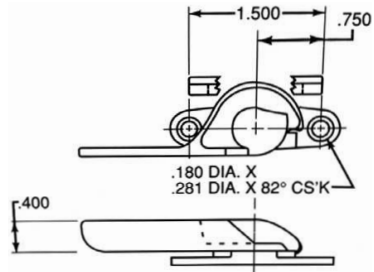


631 - additional dimensions

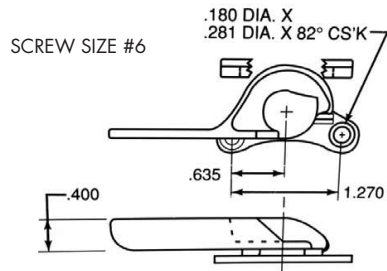
PART NO.	DIM "A"	HAND
631201	.400	LEFT HAND
631204	.400	LEFT HAND
631205	.400	RIGHT HAND
631206	.276	RIGHT HAND

624 SERIES - sash locks

624202 - sash lock

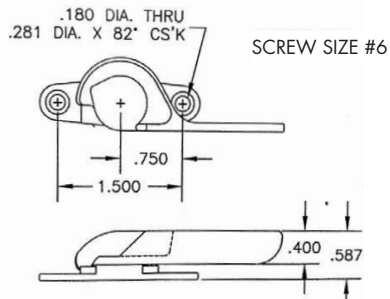


624204 - sash lock

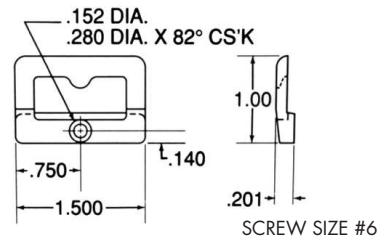


241203 - sash lock

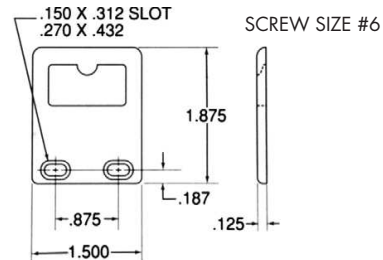
LEFT HAND SHOWN - RIGHT HAND OPPOSITE (624212)



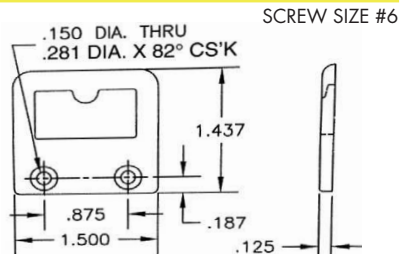
624105 - vertical keeper



624121 - vertical keeper



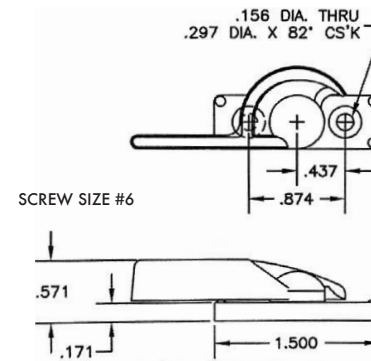
624125 - vertical keeper



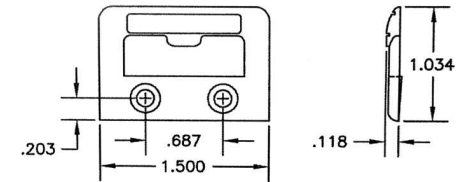
623 SERIES - sash locks

623201 - sash lock

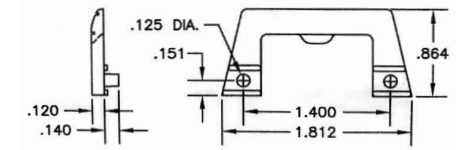
LEFT HAND SHOWN - RIGHT HAND OPPOSITE (623214)



623113 - vertical keeper



623114 - vertical keeper



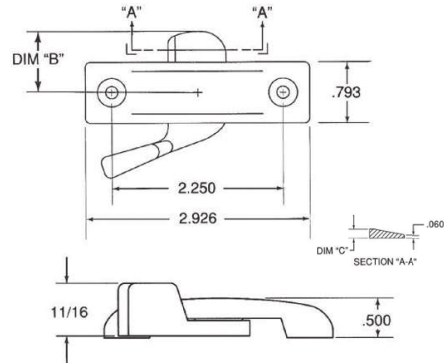
DECO

sales@decoprod.com | (563) 382-4264 | www.decoprod.com

619 SERIES - wedge sweep

619215 - sash lock

NO KEEPER REQUIRED

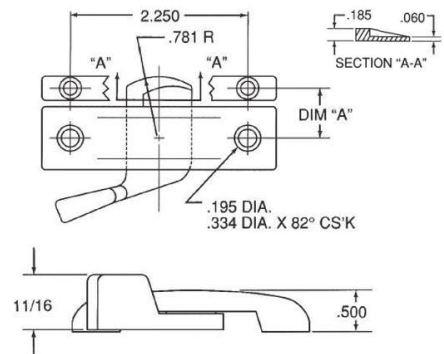


DATA CHART

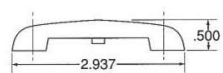
DIM "B"	DIM "A"	RH PART NO.	LH PART NO.
.781	.185	619215	---
.760	.128	619218	619219

619 SERIES - pull-in sweep

619216 - sash lock

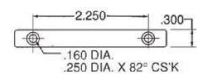


TYPICAL TOP MOUNTED KEEPER

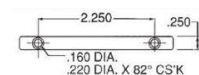


KEEPER PART NO.	DIM "A"
619131	.656
619166	.631

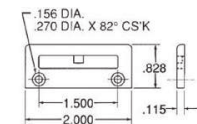
619131 - keeper



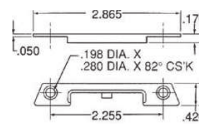
619166 - keeper



619152 - keeper

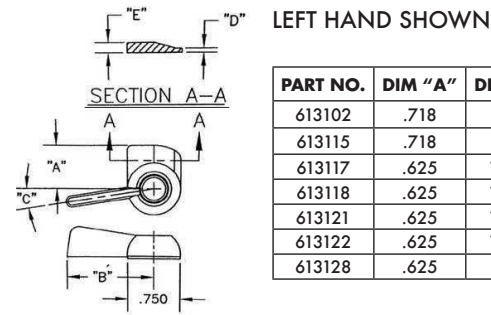


619167 - keeper



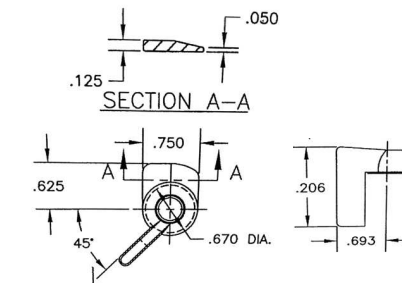
613 SERIES - sweep lock

613 SERIES - dimension guide



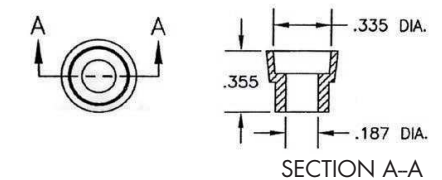
PART NO.	DIM "A"	DIM "B"	DIM "C"	DIM "D"	DIM "E"	HAND
613102	.718	1.218	10°	.070	.160	LEFT HAND
613115	.718	1.218	10°	.070	.160	RIGHT HAND
613117	.625	1.250	9°	.055	.137	RIGHT HAND
613118	.625	1.250	9°	.055	.137	LEFT HAND
613121	.625	1.250	9°	.055	.137	LEFT HAND
613122	.625	1.250	9°	.055	.137	RIGHT HAND
613128	.625	1.210	10°	.050	.115	LEFT HAND

613139 - sweep lock



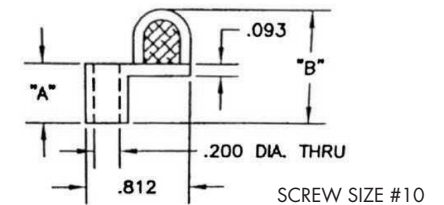
613104 - nylon bushing

ORDER SEPARATELY - use with 613 series locks
613104P1 (NATURAL) & 613104P2 (BROWN)



911 SERIES - lock

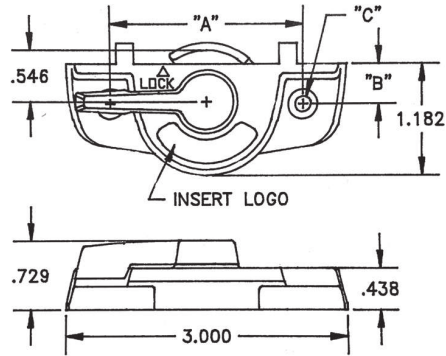
PART NO.	DIM "A"	DIM "B"
911102	.468	.890
911103	.140	.562
911104	.280	.702
911105	.530	.952
911106	.405	.827
911107	1.280	1.703
911108	.093	.515



673 SERIES - with lateral alignment tabs

673 SERIES - sash lock

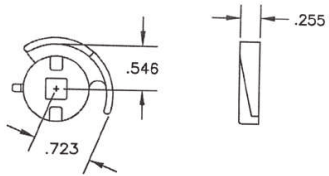
USE WITH KEEPERS ON THIS PAGE



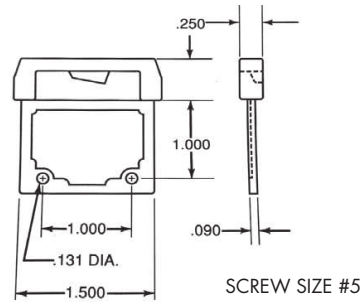
673 SERIES - additional lock dimensions

PART NO.	DIM "A"	DIM "B"	DIM "C"	SCREW SIZE
673202	2.062	.424	.170 DIA. THRU .320 DIA. X 82° CS'K	#8
673206	2.250	.424	.170 DIA. THRU .320 DIA. X 82° CS'K	#8

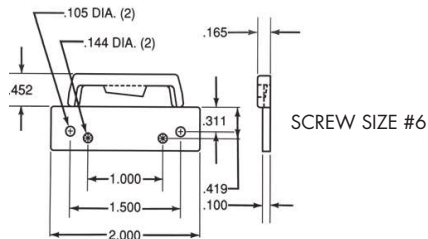
673104 - cam



673108 - vertical keeper



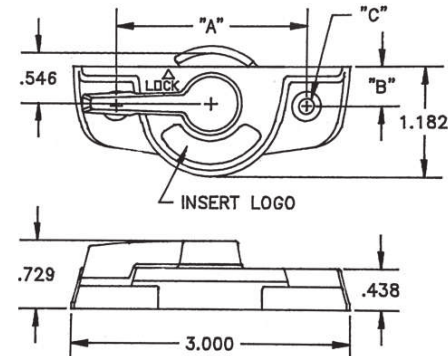
673109 - vertical keeper



673 SERIES - without alignment tabs

673 - sash lock

USE WITH KEEPERS ON THE NEXT PAGE



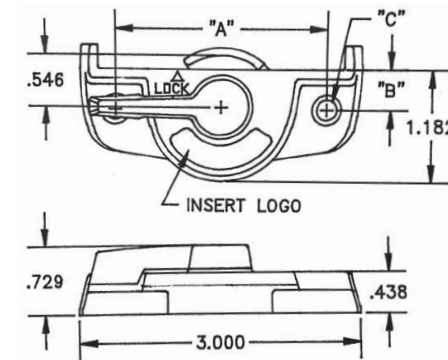
673 - additional dimensions

PART NO.	DIM "A"	DIM "B"	DIM "C"	SCREW SIZE
673201	2.062	.424	.170 DIA. THRU .320 DIA. X 82° CS'K	#8
674203	2.062	.687	.170 DIA. THRU .320 DIA. X 82° CS'K	#8
673210	2.250	.424	.170 DIA. THRU .320 DIA. X 82° CS'K	#8

673 SERIES - with alignment tabs

673 - sash lock

USE WITH KEEPERS ON THE NEXT PAGE

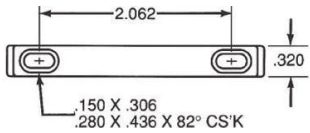


673 - additional dimensions

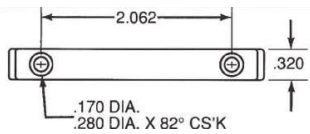
PART NO.	DIM "A"	DIM "B"	DIM "C"	SCREW SIZE
673200	2.062	.424	.170 DIA. THRU .320 DIA. X 82° CS'K	#8
674201	2.062	.687	.170 DIA. THRU .320 DIA. X 82° CS'K	#8
673203	2.250	.424	.170 DIA. THRU .320 DIA. X 82° CS'K	#8

673 SERIES - horizontal top mounted keeper

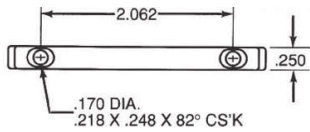
673105 - keeper



673106 - keeper



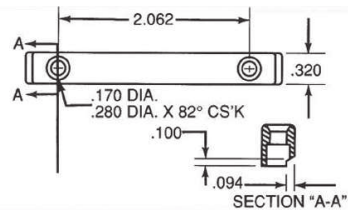
673107 - keeper



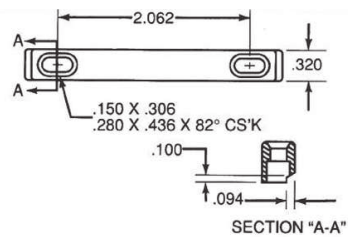
673 SERIES - additional dimensions

PART NO.	DIM "A"	DIM "B"	DIM "C"	HOLE STYLE	DIM "D"	SCREW SIZE	SIDE VIEW
673105	2.062	.320	.153 X .306 THRU .280 X .436 X 82°CS'K		2.755	#6	
673106	2.062	.320	.170 DIA. THRU .280 X 82°CS'K		2.755	#6	
673107	2.062	.250	.170 DIA. THRU .280 X .248 X 82°CS'K		2.755	#6/5	
673111	2.062	.320	.170 DIA. THRU .280 X 82°CS'K		2.755	#6	
673112	2.062	.320	.150 X .306 THRU .280 X .436 X 82°CS'K		2.755	#6	
673118	2.250	.250	.170 X DIA. THRU .280 X .436 X 82°CS'K		2.755	#6/5	
673119	2.250	.320	.170 DIA. THRU .280 X 82°CS'K		2.755	#6	
673124	2.250	.320	.150 X .306 THRU .280 X .436 X 82°CS'K		3.000	#6	

673111 - with glazing bead notch



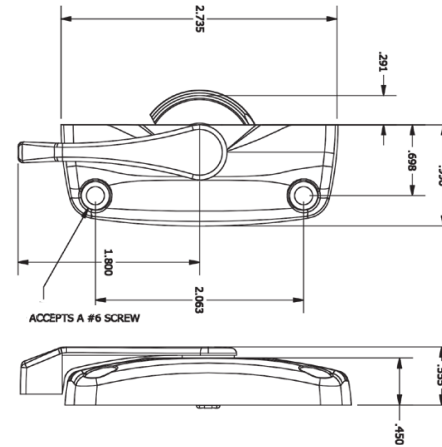
673112 - with glazing bead notch



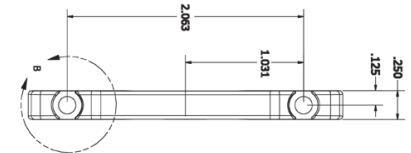
685 SERIES - pull-in sweep

685200 - sash lock

USE WITH KEEPERS ON THIS PAGE



685103 - horizontal keeper



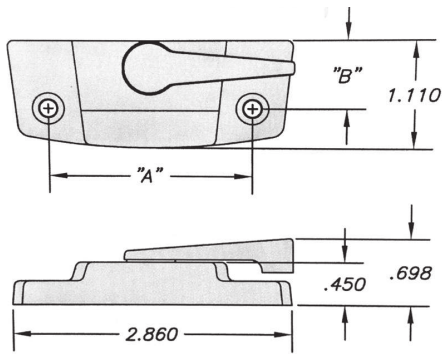
DECO
Zn
Think Zinc

sales@decoprod.com | (563) 382-4264

680 SERIES - without alignment tabs

680 SERIES - sash lock

USE WITH KEEPERS ON THIS PAGE



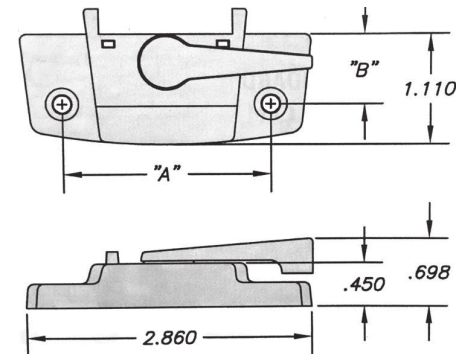
680 SERIES - additional dimensions

PART NO.	DIM "A"	DIM "B"	CAM REACH	HAND	SCREW SIZE
680200	2.062	.700	.540	RIGHT HAND	#8
680220	2.062	.700	.540	LEFT HAND	#8
680202	2.062	.700	.590	RIGHT HAND	#8

680 SERIES - with alignment tabs

680 SERIES - sash lock

USE WITH KEEPERS ON THIS PAGE



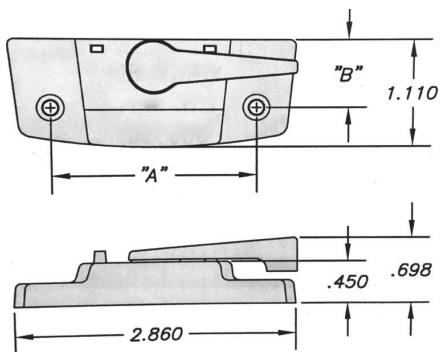
680 SERIES - additional dimensions

PART NO.	DIM "A"	DIM "B"	CAM REACH	HAND	SCREW SIZE
680221	2.062	.700	.540	RIGHT HAND	#8/6
680222	2.062	.700	.540	LEFT HAND	#8/6
680223	2.250	.390	.540	RIGHT HAND	#8
680224	2.250	.390	.590	RIGHT HAND	#8

680 SERIES - with top mount sweep stop

680 SERIES - sash lock

USE WITH KEEPERS ON THIS PAGE

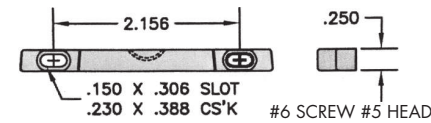


680 SERIES - additional dimensions

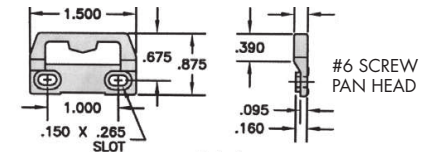
PART NO.	DIM "A"	DIM "B"	CAM REACH	HAND	SCREW SIZE
680201	2.062	.700	.590	RIGHT HAND	#8/6
680203	2.250	.390	.540	RIGHT HAND	#8
680204	2.250	.390	.590	RIGHT HAND	#8

680 SERIES - keepers & cams

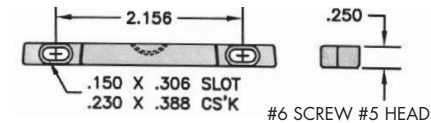
680104 - for locks without alignment tabs



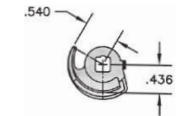
680111 - vertical keepers



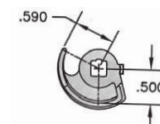
680107 - for locks without alignment tabs



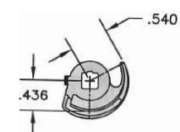
680103 - standard RH cam



680105 - standard RH cam



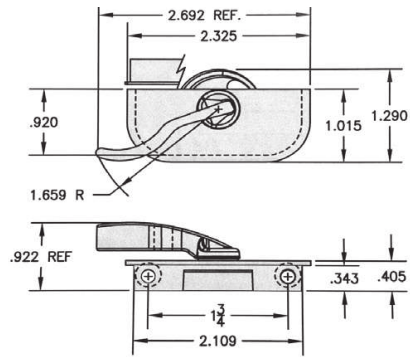
680108 - standard LH cam



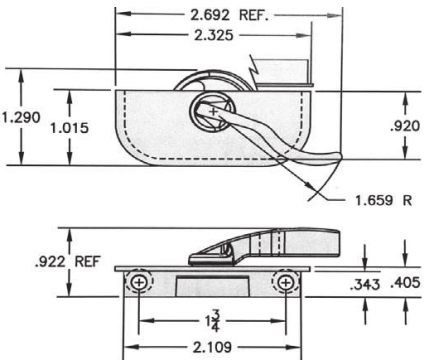
678 SERIES - sash lock



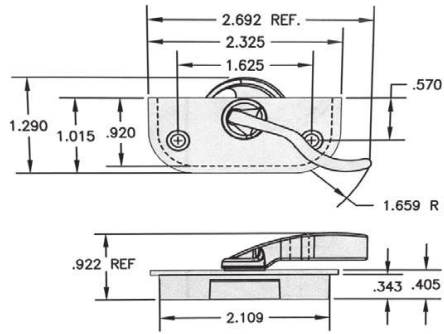
678200 & 678204 - right hand lock
USE WITH KEEPERS ON THIS PAGE



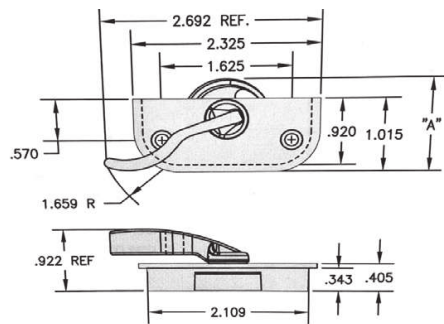
678201 - left hand lock
USE WITH KEEPERS ON THIS PAGE



678202 & 678205 - right hand lock
USE WITH KEEPERS ON THIS PAGE

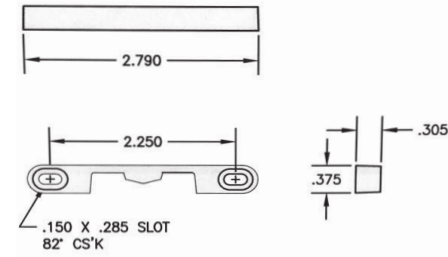


678203 - left hand lock
USE WITH KEEPERS ON THIS PAGE

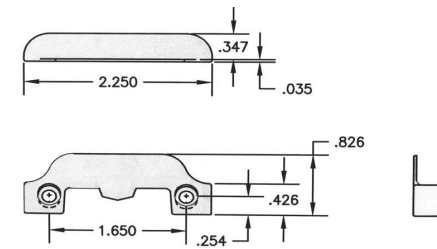


678 SERIES - keepers

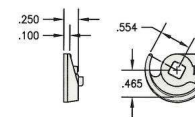
678111 - keeper



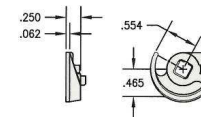
678114 - hooded keeper



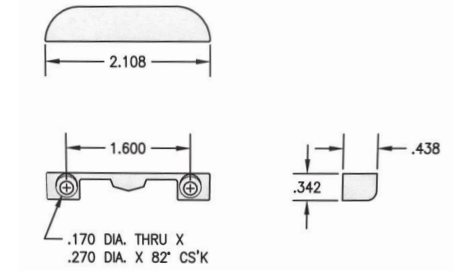
678102 - RH cam



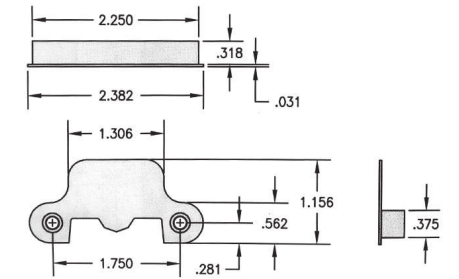
678117 - RH cam



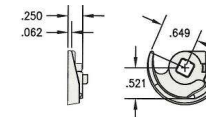
678113 - keeper



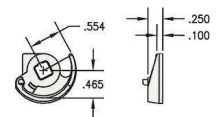
683101 - hooded keeper



678118 - RH cam



678105 - LH cam



677 SERIES - without alignment tabs | 2.062" center-to-center dimensions

677 SERIES - additional dimensions

ALL HAVE A 2.062" CENTER TO CENTER HOLE DIM.

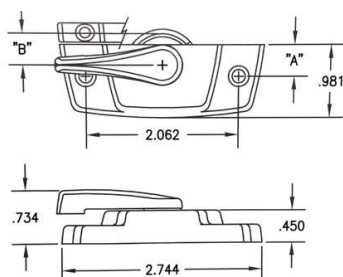
PART NO.	DIM "A"	DIM "B"	CAM RADIUS
677200	.422	.419	.520
677251	.422	.419	.520*
677201	.422	.434	.590
677224	.422	.434	.590*
677242	.422	.434	.590**
677228	.422	.479	.590
677247	.422	.565	.633**
677204	.688	.419	.520
677252	.688	.419	.520*
677205	.688	.434	.590
677244	.688	.434	.590**
677229	.688	.479	.590
677247	.688	.565	.633**

* indicates left handed cam

** indicates low rise came (.230 height instead of standard .250)



677200 - sash lock



677 SERIES - without alignment tabs | 2.250" center-to-center dimensions

677 SERIES - additional dimensions

ALL HAVE A 2.250" CENTER TO CENTER HOLE DIM.

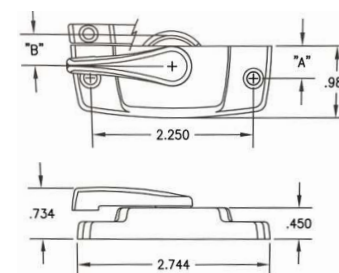
PART NO.	DIM "A"	DIM "B"	CAM RADIUS
677216	.390	.419	.520
677217	.390	.434	.590
677248	.390	.434	.590*
677233	.390	.479	.590
677253	.390	.565	.633**
677208	.437	.419	.520
677209	.437	.434	.590
677238	.437	.434	.590
677241	.437	.434	.590*
677227	.437	.479	.590
677240	.437	.479	.590

* indicates left handed cam

** indicates low rise came (.230 height instead of standard .250)



677208 - sash lock



677 SERIES - with alignment tabs | 2.062" center-to-center dimensions

677 SERIES - additional dimensions

ALL HAVE A 2.062" CENTER TO CENTER HOLE DIM.

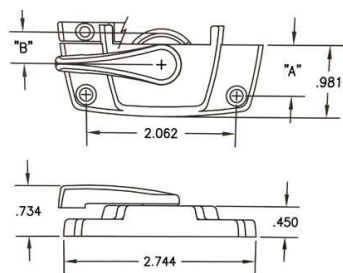
PART NO.	DIM "A"	DIM "B"	CAM RADIUS
677202	.422	.419	.520
677223	.422	.419	.520*
677203	.422	.434	.590
677239	.422	.434	.590*
677243	.422	.434	.590**
677230	.422	.479	.590
677206	.688	.419	.520
677246	.688	.419	.520*
677207	.688	.434	.590
677235	.688	.434	.590*
677231	.688	.479	.590

* indicates left handed cam

** indicates low rise came (.230 height instead of standard .250)



677206 - sash lock



677 SERIES - with alignment tabs | 2.250" center-to-center dimensions

677 SERIES - additional dimensions

ALL HAVE A 2.250" CENTER TO CENTER HOLE DIM.

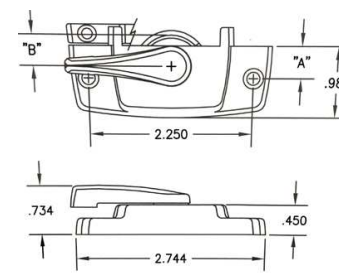
PART NO.	DIM "A"	DIM "B"	CAM RADIUS
677210	.437	.419	.520
677254	.437	.419	.520*
677211	.437	.434	.590
677232	.437	.479	.590
677218	.390	.419	.520
677219	.390	.434	.590
677234	.390	.479	.590

* indicates left handed cam

** indicates low rise came (.230 height instead of standard .250)



677208 - sash lock



677 SERIES - push button without alignment tabs

677 SERIES - additional dimensions

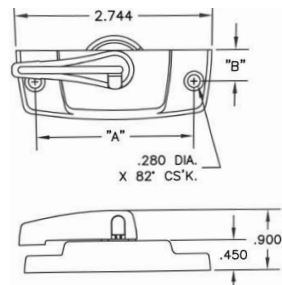
PART NO.	DIM "A"	DIM "B"	CAM RADIUS
677500	2.062	.422	.520
677501	2.062	.422	.590
677504	2.062	.688	.520
677505	2.062	.688	.590
677508	2.250	.437	.520
677509	2.250	.437	.590
677527	2.250	.437	.590 (relaxed fit)
677516	2.250	.390	.520
677517	2.250	.390	.590

* indicates left handed cam

** indicates low rise came (.230 height instead of standard .250)

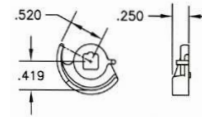


677 PUSH BUTTON - dimension guide

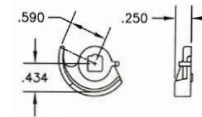


677 SERIES - cams

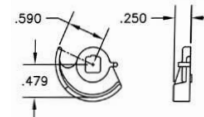
677106 - standard RH cam



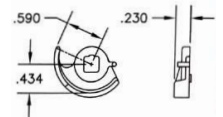
677105 - extended RH cam



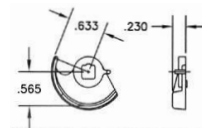
677157 - extended RH cam



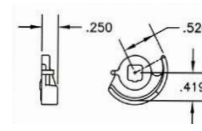
677167 - extended RH low-rise cam



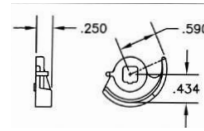
677172 - extended RH low-rise cam



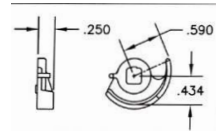
677168 - standard LH cam



677142 - extended LH cam



677185 - extended LH cam



677 SERIES - push button with alignment tabs

677 SERIES - additional dimensions

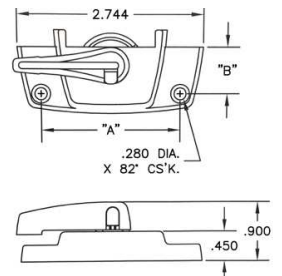
PART NO.	DIM "A"	DIM "B"	CAM RADIUS
677502	2.062	.422	.520
677503	2.062	.422	.590
677530	2.062	.422	.590 (relaxed fit)
677506	2.062	.688	.520
677507	2.062	.688	.590
677510	2.250	.437	.520
677511	2.250	.437	.590
677518	2.250	.390	.520
677519	2.250	.390	.590

* indicates left handed cam

** indicates low rise came (.230 height instead of standard .250)

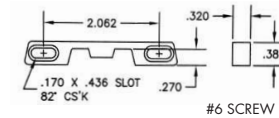


677 PUSH BUTTON - dimension guide

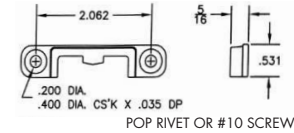


677 SERIES - flush mount keepers

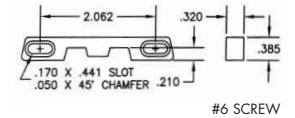
677132



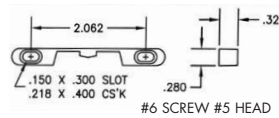
677144



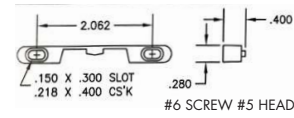
677152



677166

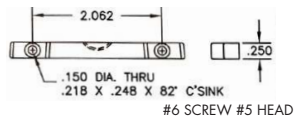


677183

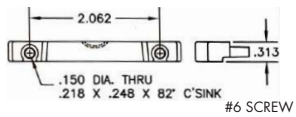


677 SERIES - horizontal keepers

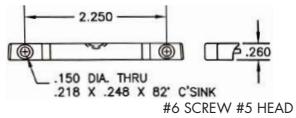
677126 - without alignment tabs



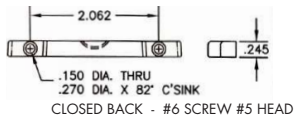
677155 - without alignment tabs



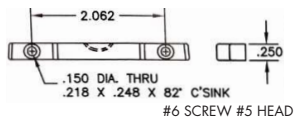
677169 - without alignment tabs



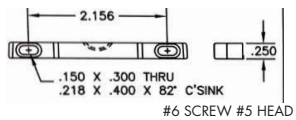
677181 - without alignment tabs



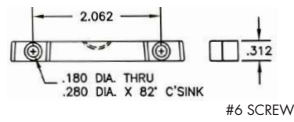
677120 - with or without alignment tabs



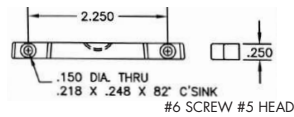
677122 - with or without alignment tabs



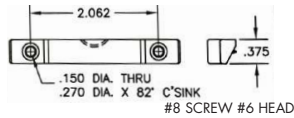
677129 - without alignment tabs



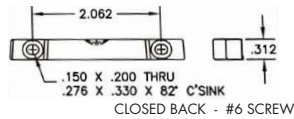
677127 - without alignment tabs



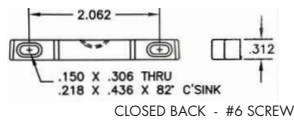
677171 - without alignment tabs



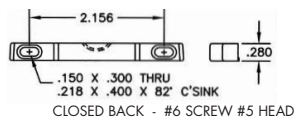
677186 - without alignment tabs



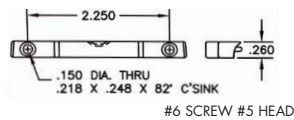
677135 - with or without alignment tabs



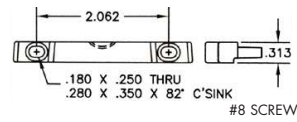
677134 - with or without alignment tabs



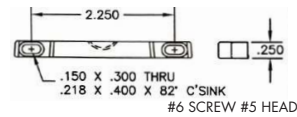
677156 - with or without alignment tabs



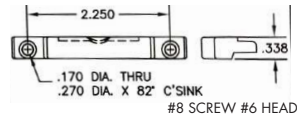
677146 - without alignment tabs



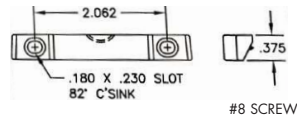
677128 - without alignment tabs



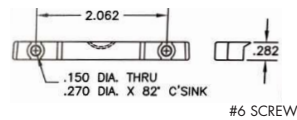
677176 - without alignment tabs



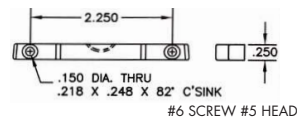
677145 - without alignment tabs



677158 - with or without alignment tabs

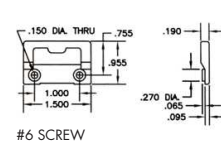


677121 - with or without alignment tabs

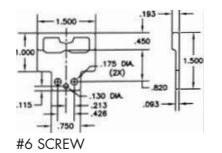


677 SERIES - vertical keepers

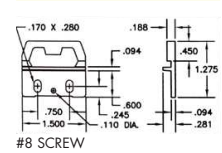
677133 - w/out alignment tabs



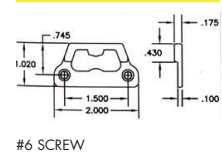
677153 - w/out alignment tabs



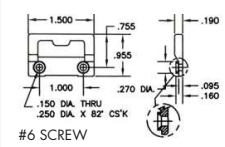
677136 - with alignment tabs



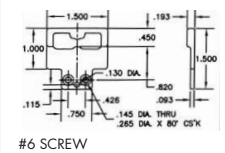
677165 - with alignment tabs



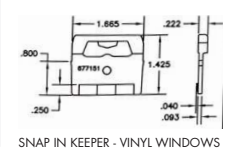
677159 - w/out alignment tabs



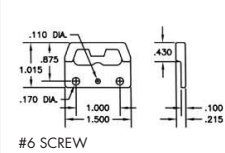
677175 - w/out alignment tabs



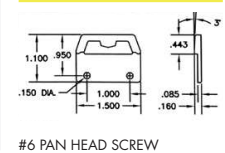
677151 - w/out alignment tabs



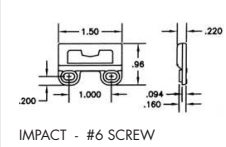
677141 - with alignment tabs



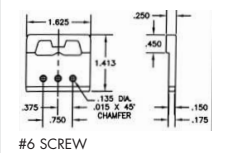
677173 - with alignment tabs



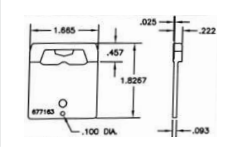
677183 - w/out alignment tabs



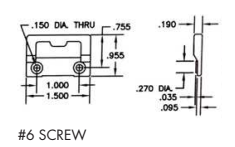
677147 - w/out alignment tabs



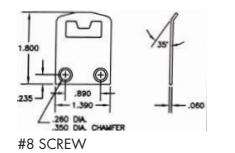
677163 - w/out alignment tabs



677190 - w/out alignment tabs

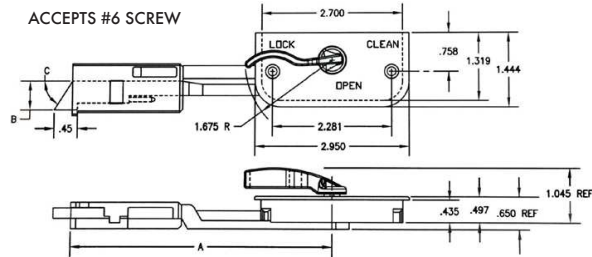


677170 - w/out alignment tabs



ULTRATECH 5421 SERIES - auto-tilt window system

ULTRATECH 5421 - sash lock



PATENT NO.
7,490,873



ULTRATECH 5421 - additional dimensions

EXTRUSION SERIES	WINDOW WIDTH	DIM "A"	DIM "B"	DIM "C"	LEFT HAND LATCH ASS'Y	LEFT HAND SASH LOCK	RIGHT HAND LATCH ASS'Y	RIGHT HAND SASH LOCK	KEEPER
MIKRON DH 714 MIKRON SLIDER 734 *VEKA DH 80	19" - 27"	5"	.565	58°	5421213	5421201	5421210	5421200	5421130
MIKRON DH 714 MIKRON SLIDER 734 *VEKA DH 80	27" - 36"	7"	.565	58°	5421214	5421201	5421211	5421200	5421130
MIKRON DH 714 MIKRON SLIDER 734 *VEKA DH 80	36" - UP	9"	.565	58°	5421215	5421201	5421212	5421200	5421130
VEKA DH 32 & 36	19" - 27"	5"	.211	56°	5421225	5421201	5421222	5421200	5421131
VEKA DH 32 & 36	27" - 36"	7"	.211	56°	5421226	5421201	5421223	5421200	5421131
VEKA DH 32 & 36	36" - UP	9"	.211	56°	5421227	5421201	5421224	5421200	5421131
VEKA DH 30, 31, 56 & 77 SE30 & SE33 SASH SERIES	19" - 27"	5"	.386	58°	5421219	5421201	5421216	5421200	5421131
VEKA DH 30, 31, 56 & 77 SE30 & SE33 SASH SERIES	27" - 36"	7"	.386	58°	5421220	5421201	5421217	5421200	5421131
VEKA DH 30, 31, 56 & 77 SE30 & SE33 SASH SERIES	36" - UP	9"	.386	58°	5421221	5421201	5421218	5421200	5421131

** all VEKA DH Extrusions use the 5421131 keeper

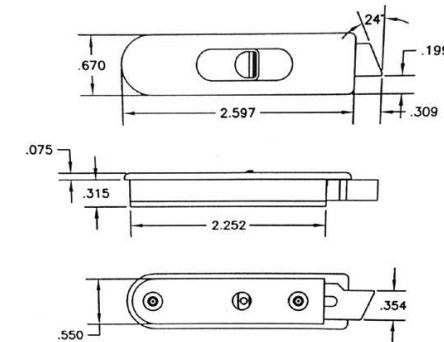
NOTE: VEKA Slider #SL1-80
Uses 5421202 RH & 5421203 LH
"Dummy Locks"

NOTE: DH80 Series Requires:
1 Each 5421170K26 Corner Plug
1 Each 5421171K26 Corner Plug

5364 SERIES - tilt latches

5364200 - tilt latch

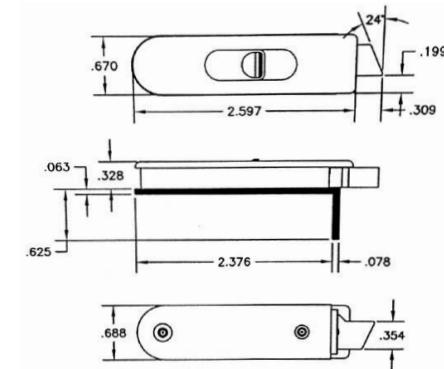
RH SHOWN LH (5364201) OPPOSITE



5364208 RH is the same as 5364200 except marked "TR"
5364209 LH is the same as 5364201 except marked "TL"

5364202 - tilt latch

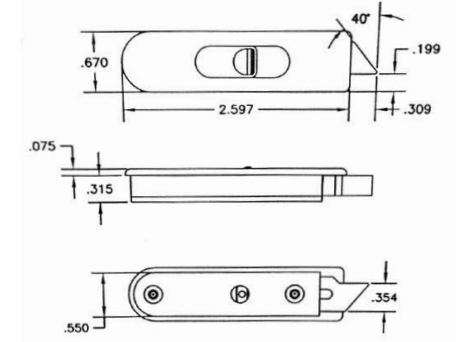
RH SHOWN LH (5364203) OPPOSITE



These are the same as 5364200 & 5364201 except for different base plate.

5364204 - tilt latch

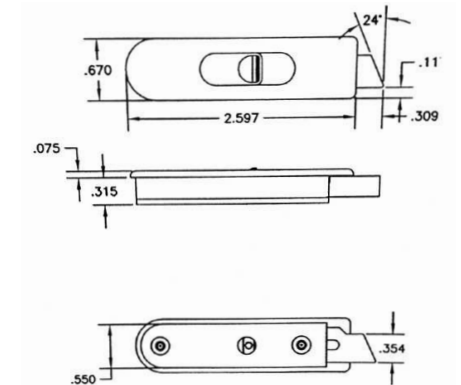
RH SHOWN LH (5364205) OPPOSITE



These are the same as 5364200 & 5364201 except for different nose angle.

5364206 - tilt latch

RH SHOWN LH (5364207) OPPOSITE



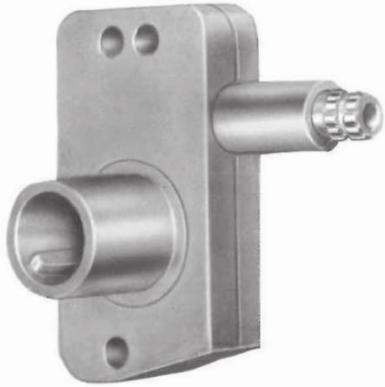
These are the same as 5364200 & 5364201 except for different nose locations (shifted forward).



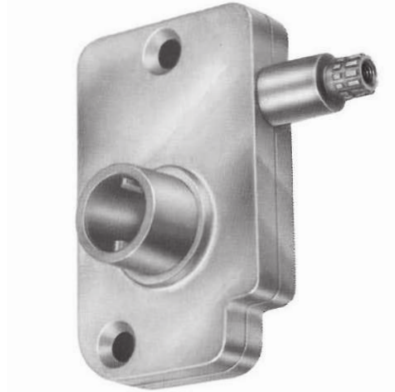
AWNING WINDOW OPERATORS

- Individual part numbers vary greatly, depending upon application
- Worm gears are available in various lengths
- All operators shown below are available in both left and right hand models
- Call for more information - (563) 382 - 4626

879 SERIES



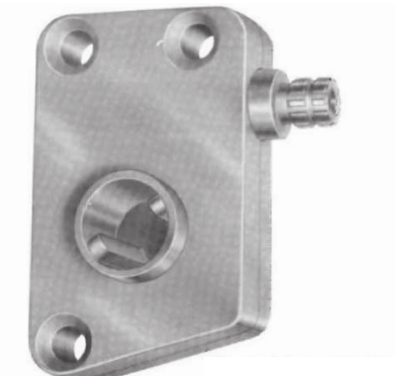
842 SERIES



887 SERIES



886 SERIES



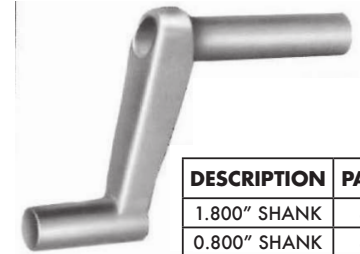
Reversible model also available.

888 SERIES - extension



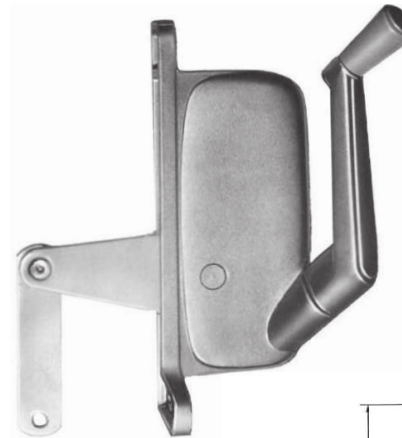
DESCRIPTION	PART NO.
2.000"	888104
0.900"	888103
1.125"	888120

888 SERIES - cranks

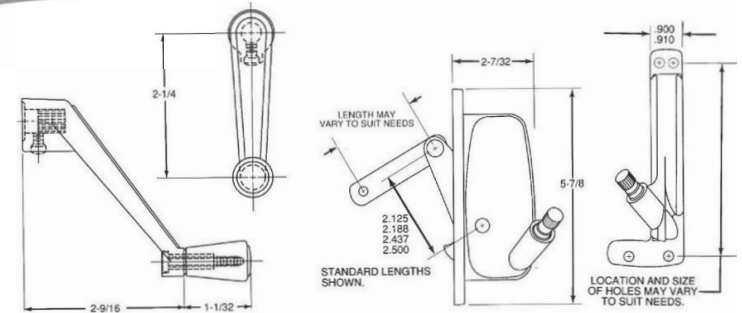


DESCRIPTION	PART NO.
1.800" SHANK	888105
0.800" SHANK	888102

11500 SERIES



- Hardened worm gear designed for maximum strength and long wear; hardened pivot stud for gear.
- Variety of links to suit most window applications.
- Mounting holes available in several standard locations or can be designed to conform to other applications.
- Butyrate plastic solid color knob rotates on die cast bearing and steel pivot stud for sturdy, trouble-free operation
- Epoxy powder coated and baked to provide a smooth, durable, corrosion resistant finish that is exceptionally durable.
- This operator is carefully styled in minute detail to attractively conform with the finest interior furnishings.

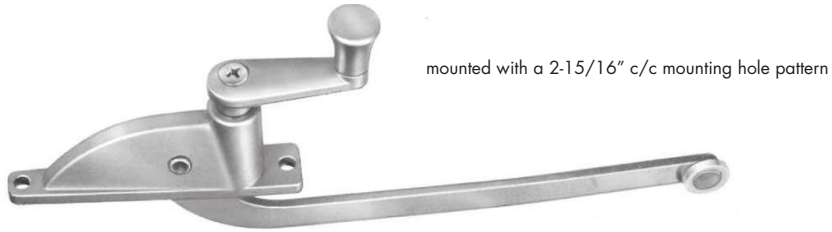


WINDOW & VENT OPERATORS/HANDLES

- All operator housings and arm gears are available zinc plates, powder coated, or in mill finish.
- Operators are available in various arm lengths with nylon or aluminum rollers.
- Order crank and screws separately, see page ___ for crank handle choices
- Call for more information - (563) 382 - 4626

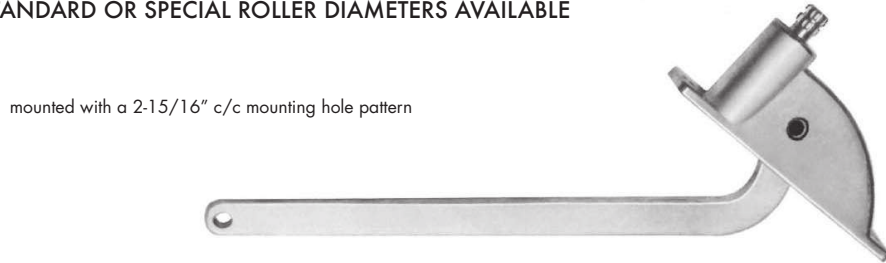
705 SERIES - vent operator with steel arm gear

ORDER 705 SERIES CRANK SEPARATELY - SEE NEXT PAGE

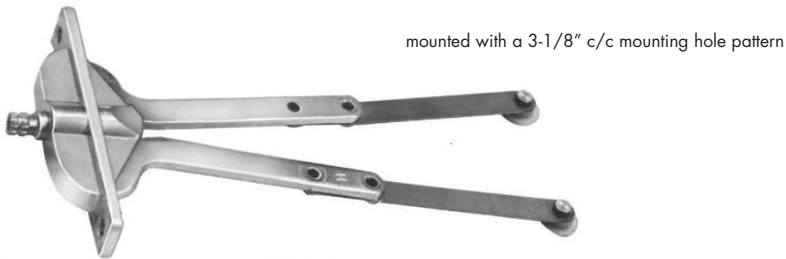


5027 SERIES - vent operator with zinc die cast arm gear

STANDARD OR SPECIAL ROLLER DIAMETERS AVAILABLE



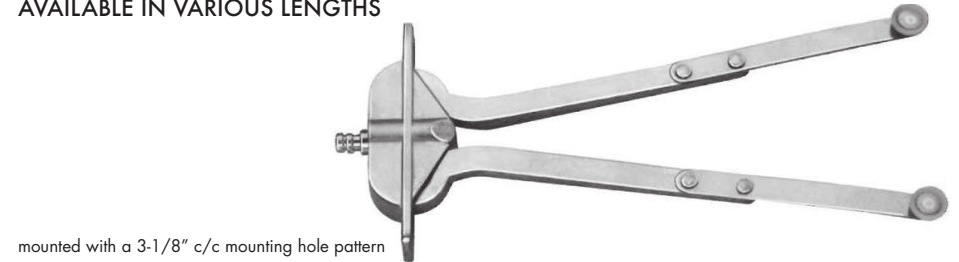
706 SERIES - twin arm operator



30

5026 SERIES - twin "flex arm" operator

AVAILABLE IN VARIOUS LENGTHS

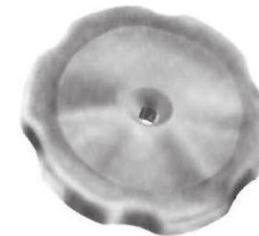


705 SERIES - crank handle



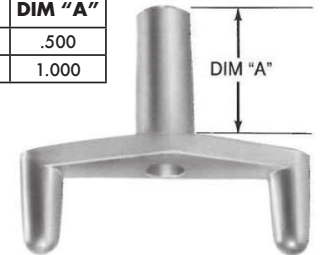
PART NO.	DIM "A"
705225	.250
705242	.500
705210	1.000

718128 - dial handle

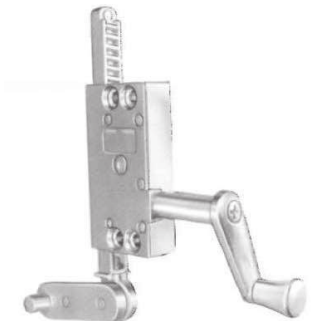


888 SERIES - "I" crank

PART NO.	DIM "A"
718106	.500
718115	1.000



718 - jalousie operator



31

WINDOW & VENT OPERATORS/HANDLES

751 SERIES - *casement window operator*

ORDER 705 SERIES CRANK SEPARATELY



mounted with a 2-15/16" c/c mounting hole pattern

711 SERIES - *locking handle*



8056 SERIES - *sun roof and vent latch*





DECO

sales@decoprod.com | (563) 382-4264 | www.decoprod.com